

INTERREG III C project EUPOS-Interregional Cooperation  
User workshop

## LITPOS/EUPOS Present and nearest future

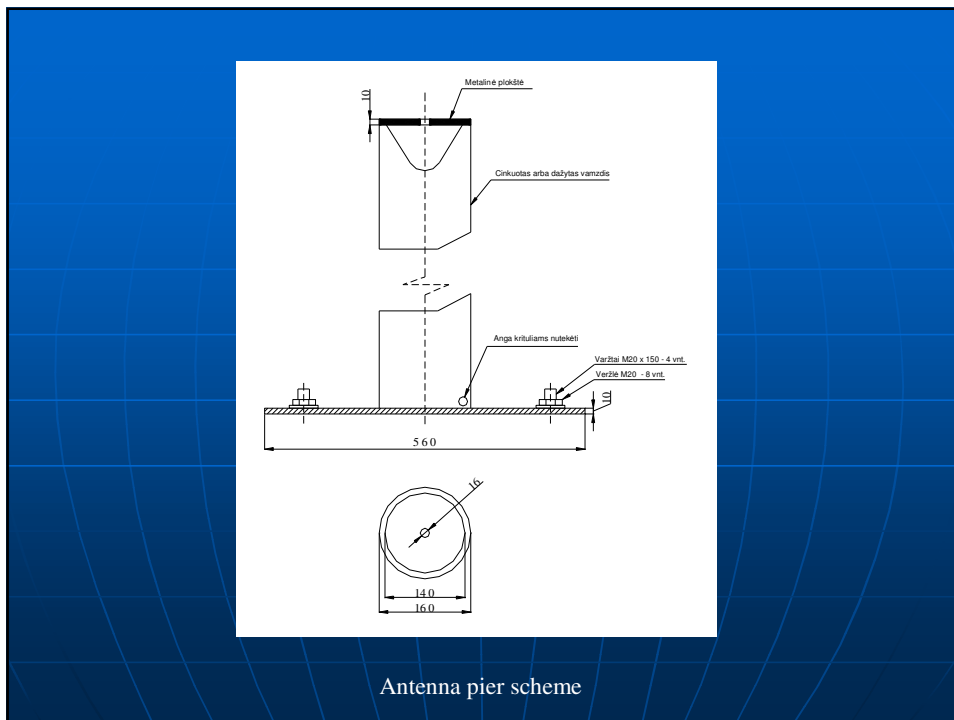
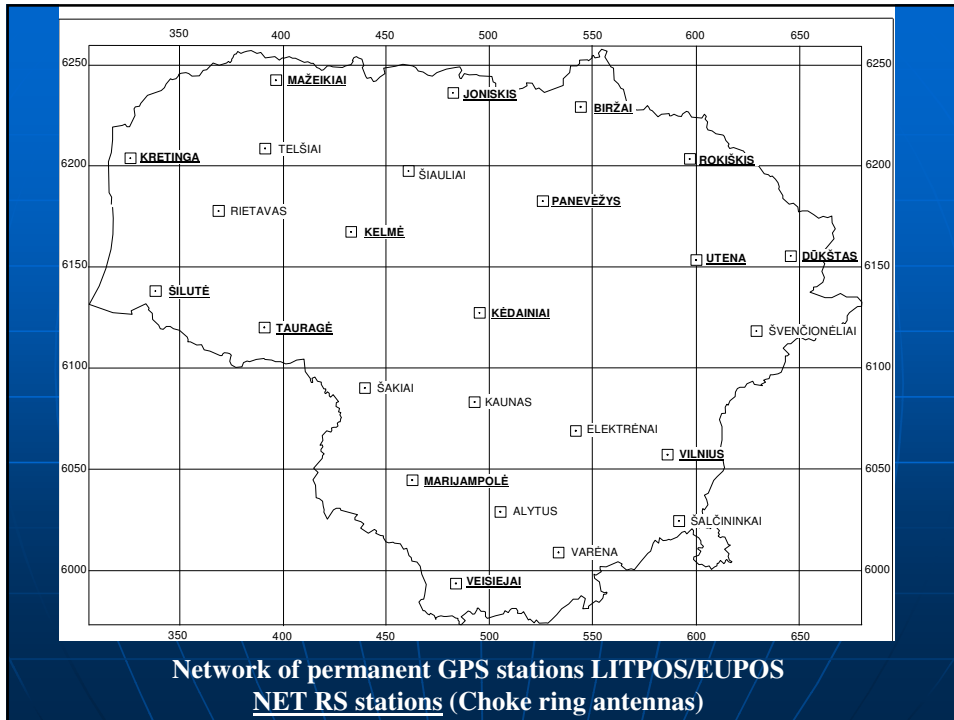
**Arunas Buga**

Institute of Geodesy, Vilnius Gediminas Technical University,  
Saulėtekio al. 11,  
LT-10223 Vilnius-40, Lithuania,  
e-mail: buga@ap.vtu.lt

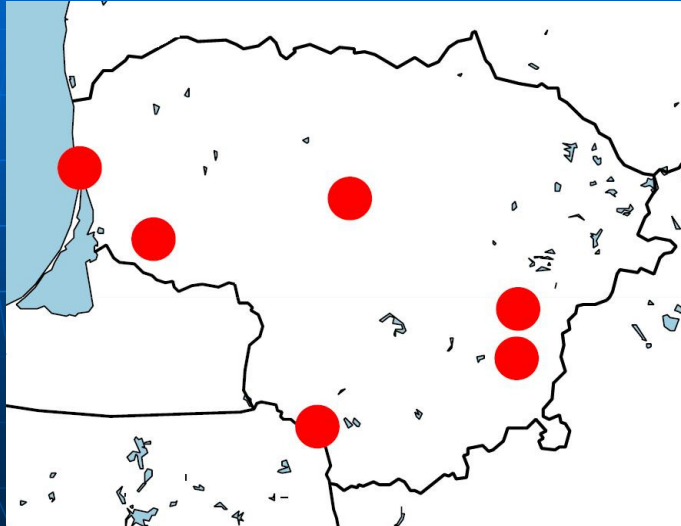
2007 05 09-10

### General requirements:

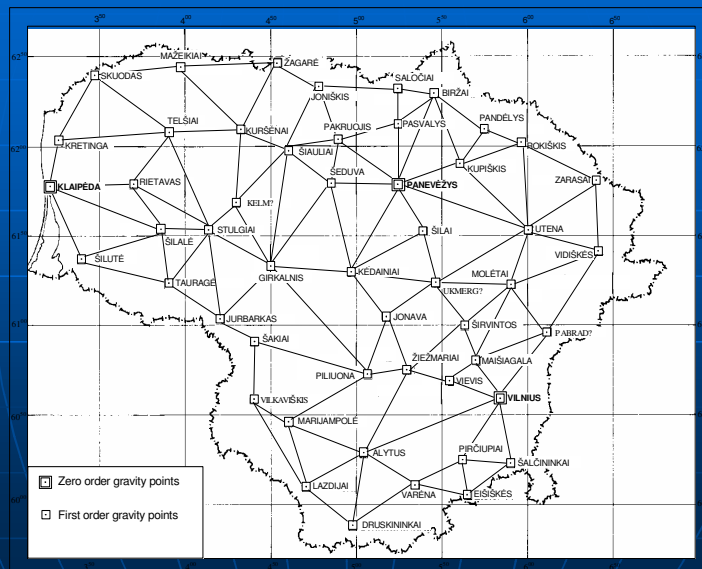
- coordinates to LITPOS/EUPOS stations are transferred from National Zero Order National GPS Network and EPN stations
- Geopotential heights and normal heights of National First Order Vertical Network are used for data transfer to LITPOS/EUPOS stations
- Gravity values of National Zero and First Order Vertical Network are used for data transfer to LITPOS/EUPOS stations



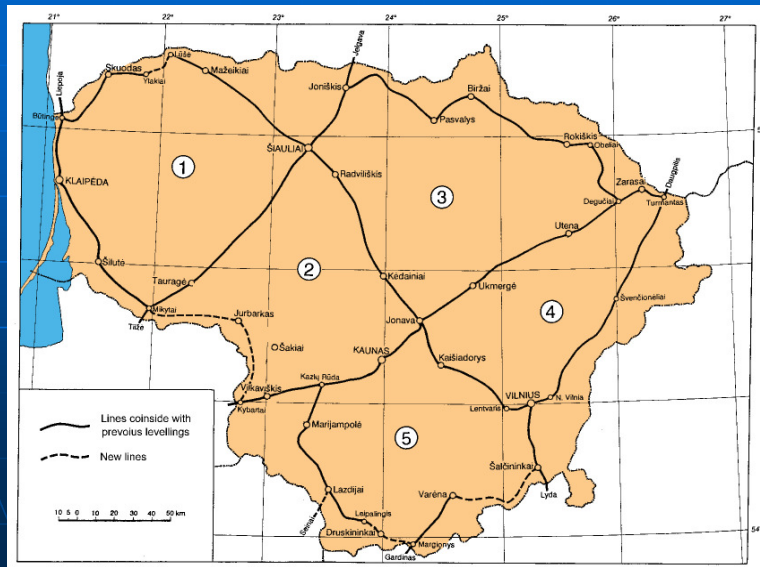
# Reference network for the LITPOS/EUPOS stations



## *Lithuanian National Gravimetric First Order Network*



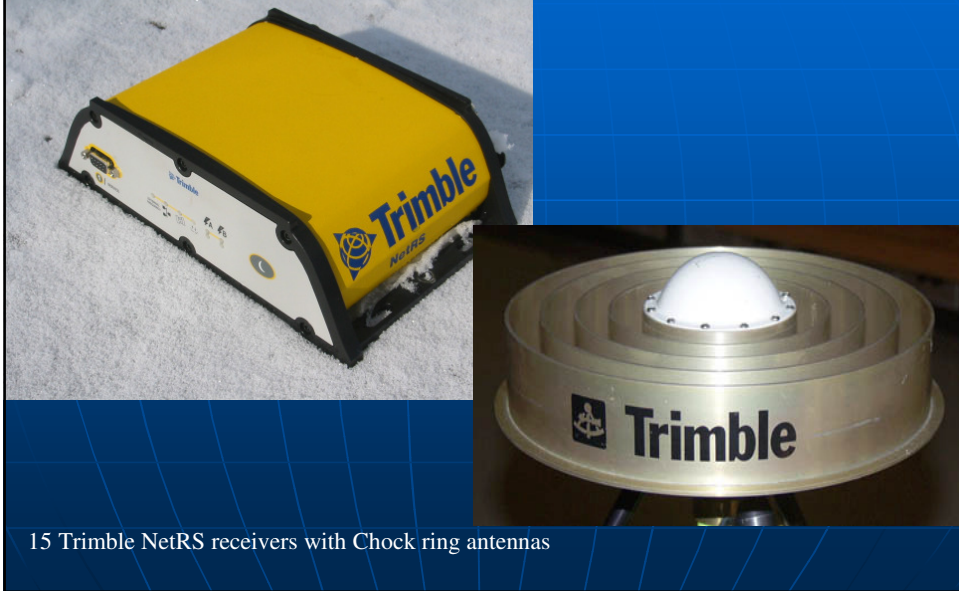
## Lithuanian National Geodetic Vertical First Order Network



## Height transfer

- Closest BM levelling (as Second Class National Vertical Network levelling) from nearest first order network BM (by DiNi 12),
- Height difference rms errors between BM 0.7 mm/km,
- Height transfer from BM to antenna pier by trigonometric levelling (total station).

## Equipment of LITPOS/EUPOS



15 Trimble NetRS receivers with Chock ring antennas

## Equipment of LITPOS/EUPOS



10 Trimble 5700 receivers with Zephyr geodetic antennas

**Thank you for your attention!**